

# Bauer EM



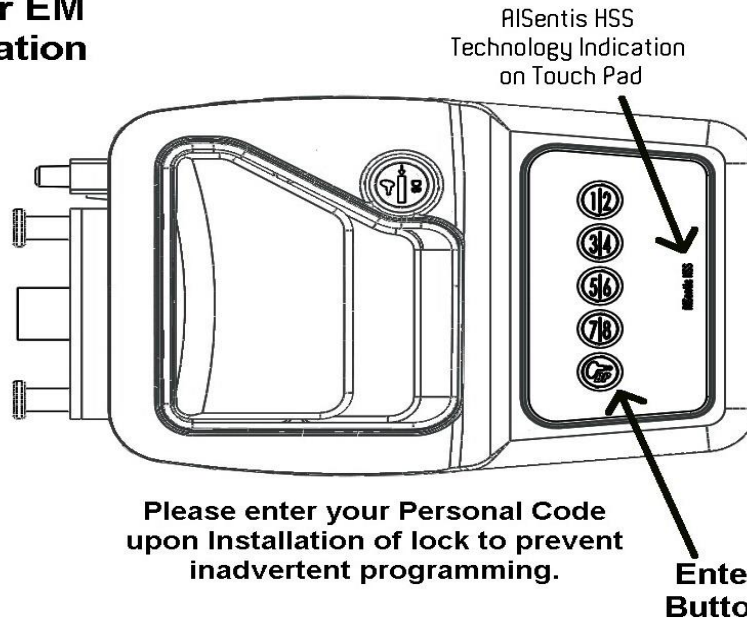
## Quick Reference Card

Please see our website at [www.bauerproducts.com](http://www.bauerproducts.com) for detailed instructions, and videos on installation and operation.

**Bauer Products, Inc.**  
702 Evergreen St SE  
Grand Rapids, MI 49507  
1-866-68-BAUER(22837)  
[www.bauerproducts.com](http://www.bauerproducts.com)  
email: [info@bauerproducts.com](mailto:info@bauerproducts.com)

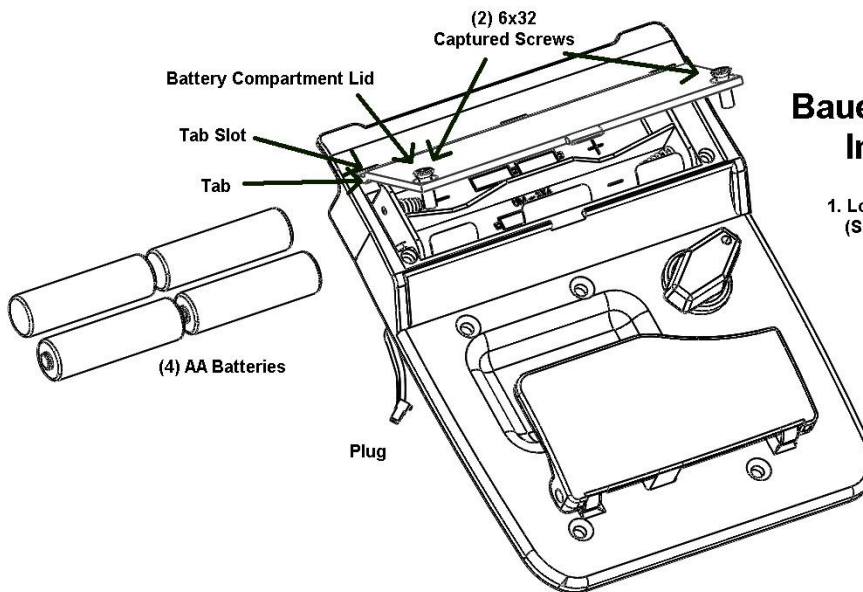
## Bauer EM Operation

**IMPORTANT:**  
The Touch Pad  
Only Activates the  
Dead Bolt



Please enter your Personal Code upon Installation of lock to prevent inadvertent programming.

1. Touch the first Button of the code you wish to enter. The Buttons will illuminate to indicate the lock is ready to accept the code.
2. The factory default code is 3,7,1,5 followed by the Enter Button.
3. To set your Personal Code. Simultaneously touch and hold the "3|4" Button and Enter Button for 2 seconds. The lock will beep 3 times to accept the new code.
4. Enter a 4 digit code followed by the Enter Button. The lock will beep 4 times to indicate new code acceptance. This is now your new code.



## Bauer EM Battery Installation

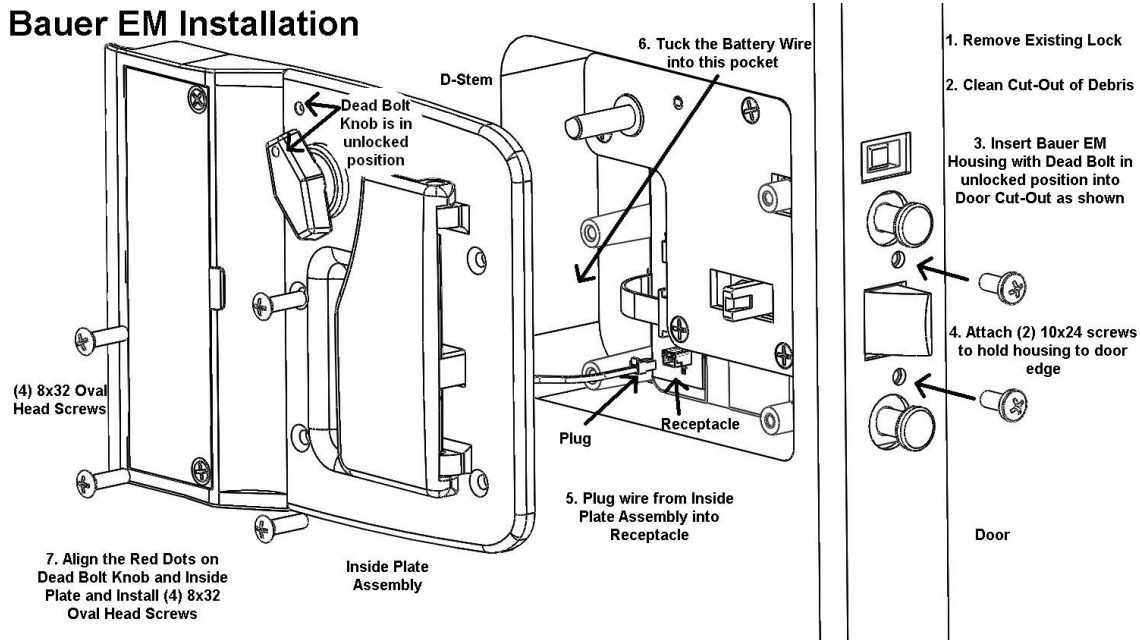
1. Loosen (2) 6x32 Captured Screws (Screws will remain with Battery Compartment Lid)
2. Install 4 fresh AA Batteries according to the orientation symbols.
3. Install Battery Compartment Lid by Aligning the (3) tabs and (3) slots.
4. Tighten (2) 6x32 Captured Screws to attach Battery Compartment Lid.

**Bauer EM Strike Plate**

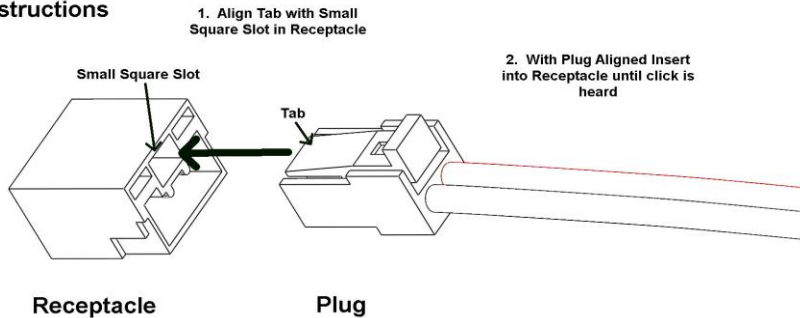


Must be installed with Bauer EM to insure FMVSS206 compliance

**Bauer EM Installation**



**Battery Plug Instructions**



**Limited Warranty**

BAUER'S WARRANTY IS LIMITED. AT ITS SOLE DISCRETION, BAUER MAY EITHER REPLACE OR REPAIR ANY DEFECTIVE PARTS. IN NO EVENT SHALL BAUER HAVE ANY LIABILITY TO CUSTOMER FOR PAYING INCIDENTAL, SPECIAL OR CONSEQUENTIAL DAMAGES INCLUDING (WITHOUT LIMITATION) DAMAGES RESULTING FROM PERSONAL OR BODILY INJURY OR DEATH OR DAMAGES TO, OR LOSS OF USE OF, ANY PROPERTY. NOTWITHSTANDING ANY PROVISION TO THE CONTRARY, THIS LIMITED WARRANTY IS MADE UPON THE EXPRESS UNDERSTANDING THAT IT SHALL APPLY IN CONNECTION WITH THE SALE OF THE PRODUCT BY BAUER AND IS IN LIEU OF ALL OTHER WARRANTIES (EXPRESS, IMPLIED OR STATUTORY) INCLUDING THE SEPARATE WARRANTIES OF MERCHANTABILITY AND FITNESS FOR A PARTICULAR PURPOSE OR USE.